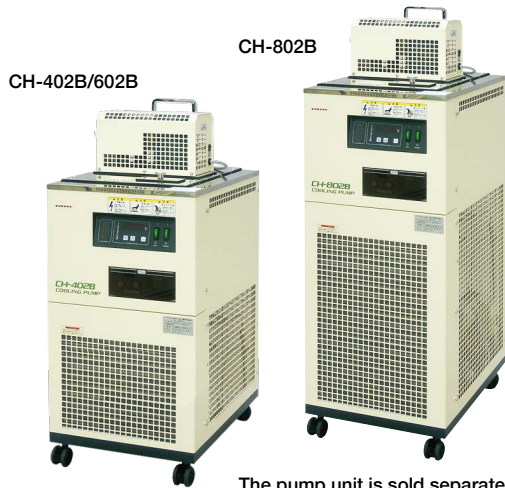


# Cooling pump CH-402B/602B/802B

**Air-cooled type CH series with excellent portability for 200 V power supply. Built-in heater makes precise temperature control. Cooling in high temperature range, Wide temperature range, Various outputs, and external sensors are available.**

•Pump unit (Sold separately) --> P.200 •External dimensions --> P.201



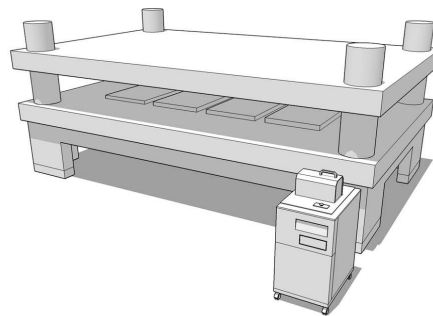
The pump unit is sold separately.

## Features

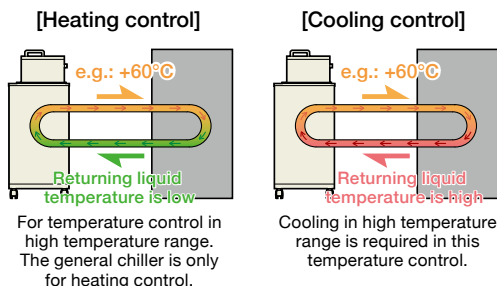
- The air-cooled integrated chiller does not require primary cooling water and plumbing
- The unit type pumps can be selected according to the purpose
- Cooling in high temperature range

## Applications

- Temperature control for a machine in the facility equipped with a 200 V power supply
- Precise temperature control for a press working mold



## Cooling in high temperature range



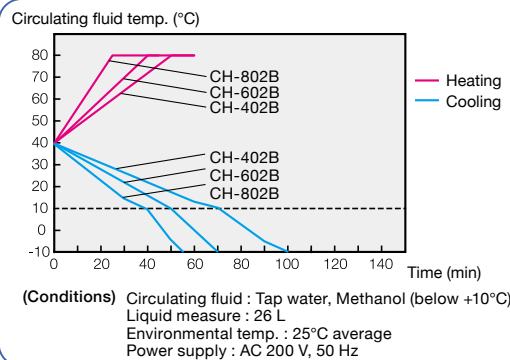
Precise temperature control for the upper and lower stages of the press working mold. Circulate two with one unit is available as an option. It can control the temperature of the upper and lower stages of the press working mold (within the capability).

Model	CH-402B	CH-602B	CH-802B
Temperature range (*1)	-10°C to +80°C		
Ambient temperature range	+5°C to +35°C		
Control accuracy (*2)	±0.5°C, Heater PID control		
Compressor output, Refrigerant	400 W, R404A	600 W, R404A	750 W, R404A
Cooling capacity (at 50 Hz) (*3)	approx. 0.7 kW	approx. 1.0 kW	approx. 1.3 kW
Heater output	1.8 kW	2.25 kW	3 kW
Temperature setting display	Digital system (setting/display switching system)		
Safety device/function	Short/Over current breaker, Alarm and warning for compressor, High and Low temperature, Alarm and warning for pump motor, Temperature sensor abnormality diagnosis circuit, Alarm for replenishing liquid, Low-water cut off, Phase-reversal relay		
Other Functions	Temperature check monitor, Remote temperature setting, Temperature monitor signal output, Safety device actuation signal output, External temperature sensor connection (*4)		
Water bath capacity (water level 80%) (*5)	approx. 26 L		
Applicable pump unit (*6)	P-320, P-420, P-520		
Dimensions (WxDxH) (Pump unit is not included)	407 × 565 × 766 mm		407 × 565 × 996 mm
Weight (Pump unit is not included)	approx. 66 kg	approx. 68 kg	approx. 75 kg
Power Supply (Pump unit is not included)	AC 200 V 50/60 Hz, Three-phase		
Operation current (Pump unit is not included)	10 A	15 A	20 A
Standard accessories	Power cord, Drain hose × 1 pc, Connector for signal × 1 pc, Metal fittings (only for 802B)		

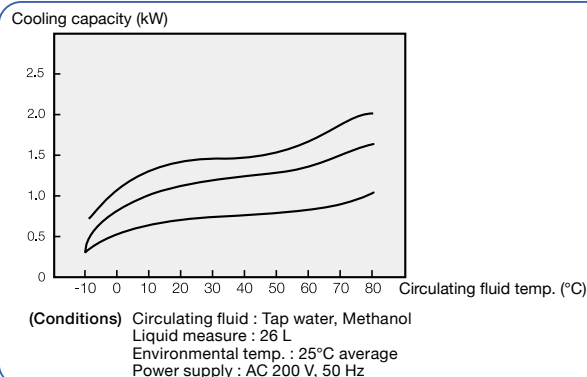
(\*1)When setting below +7°C, please be sure to use antifreeze (Please ask us for details).  
 (\*2)Performance may not be maintained due to the heating medium, environmental temperature, heat load, circulation pipe distance, etc.  
 (\*3)Capacity when using tap water and the circulating fluid temperature at 10°C. The capacity varies with the pump unit mounted. The capacity decreases when the ambient temperature is above +30°C.  
 (\*4)External temperature sensor (φ4 × 250 mm) is available as an option.  
 (\*5)Due to the structure not being sealed, the circulation liquid may evaporate and reduce depending on the set temperature and heating medium type.  
 (\*6)Please refer the pump units on P.200.

We contribute to the development of research and industry.  
**TATEC** [ General Catalog ]

## Heating/Cooling curve



## Cooling capacity curve



Note: Methanol was used for the circulating fluid for testing purposes and is not recommended for actual use.

NEW

Constant temperature incubator/shaker OD Monitor

For cell culture related products

Shaker

Mixer Rotator Stirrer

Bead beater homogenizer Ultrasonic homogenizer

Aluminum block Bath Mini-size Bath

Water bath Shaking Water bath Immersion cooler

Hybridization Incubator Consistent temperature Chambers

Centrifugal Concentrators Cold Trap

Freeze dryers

Substrate Electrophoresis apparatus Blotting device for hybridization

Constant-temperature water circulating system [chiller]

Appendix