

Cooling pump CH-1500ASO~7500ASO

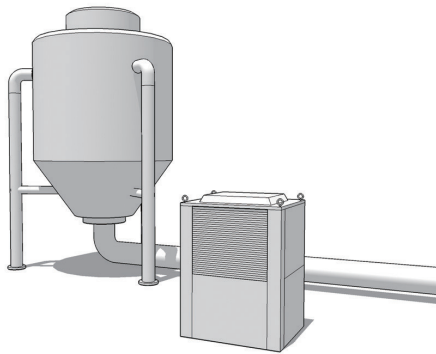
The air-cooled integrated type for outdoors. A higher Compressor output than 7.5 kW is available as an option. Ideal for when it cannot be placed indoors.

Features

- The all-weather unit for outdoors
- Customizable upon request
- Can be operated indoors by the remote control panel

Main Applications

- Temperature control for the raw material tank, etc. that is installed outdoors



Ideal for when it cannot be placed indoors. It can be used for temperature control for equipment that is installed outdoors.



CH-7500ASO

Can be customized upon request.

This model is the most customizable among the Large CH series. It is customizable based on the following specifications upon request such as Temperature range, Temperature control accuracy, Pump capacity, etc. Also, a higher Compressor output than 7.5 kW is available as an option. Please feel free to ask us.

Model	CH-1500ASO	CH-2200ASO	CH-3750ASO	CH-5500ASO	CH-7500ASO
Temperature range	+5°C to +25°C				
Control accuracy (*1)	±2.0 to 3.0°C, Compressor On-Off control				
Cooling capacity [kW] (50/60 kHz) (*2)	Circulation temp:+10	3.7/4.1	5.2/6.4	9.7/10.3	14.9/15.3
	Circulation temp:+20	4.0/4.7	5.8/7.3	11.2/12.6	17.5/18.5
Compressor output, Refrigerant		1.5 kW, R407C	2.2 kW, R407C	3.75 kW, R407C	5.5 kW, R407C
Pumping capacity (50/60 kHz) (*3)	Max. discharge pressure [MPa]	0.22		0.25	
	Flow rate [L/min]	60		180	
	Motor output [kW]	0.4		0.75	
Safety device/function	Short/Over current breaker, Overload protector, High and Low temperature, Refrigerant high and low pressure, Overheat protector for Compressor, Low water cut off, Phase-reversal relay, Overheat protector for Compressor (CH-1500ASO/2200ASO), Warning indicator lamp				
Water bath capacity (at 80% water level)	40 L	61 L	66 L	91 L	103 L
Connecting pipe diameter (Circulating fluid in/out)	Rp1		Rp1¼		Rp1½
Dimensions	530×900×1310H mm	530×1090×1310H mm	880×1260×1310H mm	1046×1150×1905H mm	1200×1410×1852H mm
Weight	215 kg	240 kg	290 kg	495 kg	590 kg
Power Supply (three phase AC 200 V, 50/60 Hz)	30 A		50 A	75 A	
Operation current (50/60 Hz)	8/9 A	10/12 A	20/22 A	26/29 A	37/42 A
Standard Accessory	Remote control panel				

(*1)Performance may not be maintained due to environmental temperature, heat load, circulation pipe distance, etc.

(*2)Capacity when the ambient temperature at below +30°C.

(*3)Capacity when using tap water. Flow rate when the discharge pressure at 0.1 MPa.

- The cooling capacity may not be maintained if the unit is placed in direct sunlight and hindrance of exhausting.
- Pure water is available as an option.
- Please ask us when mixing chemicals for water treatment to circulating fluid.
- The fee for Delivery, Installing, Piping work, and Wiring work are quoted separately.

● Protuberances are not included in the Dimensions. ● Vessels of photos are not included.