

# Automatic Manipulator for Cell Factory™, CellSTACK®, HYPERStack® (4 mounting type-2D)

WAS-107L(R)

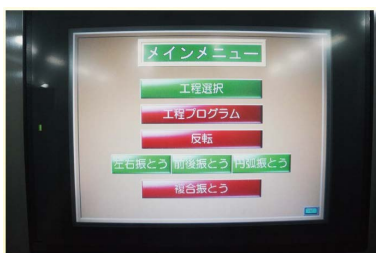
## Appearance



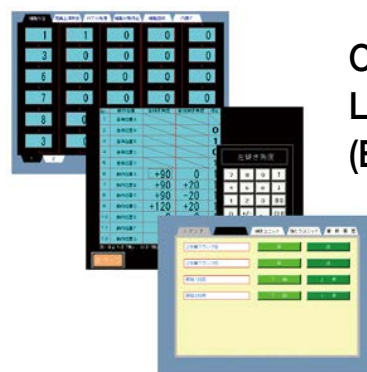
## Features

- With this equipment, shaking, **stirring and liquid handling** can be performed simultaneously in multiple stackable cell culture vessels.\*
  - This equipment can mount up to **4 pieces of 40( or 52) layers** stackable cell culture vessels.  
[ Options can be added :Mounting **8** stackable cell culture vessels (10 layer Cell Factory™ ,  
10 layer CellSTACK® , or 36 layer HYPERStack® ) at maximum. ]
- ※Cell Factory™, CellStack®, HYPERStack®

## Operation Screen



Control Panel



Operation screen.  
Language selectable  
(English/Chinese etc..)

# Automatic Manipulator

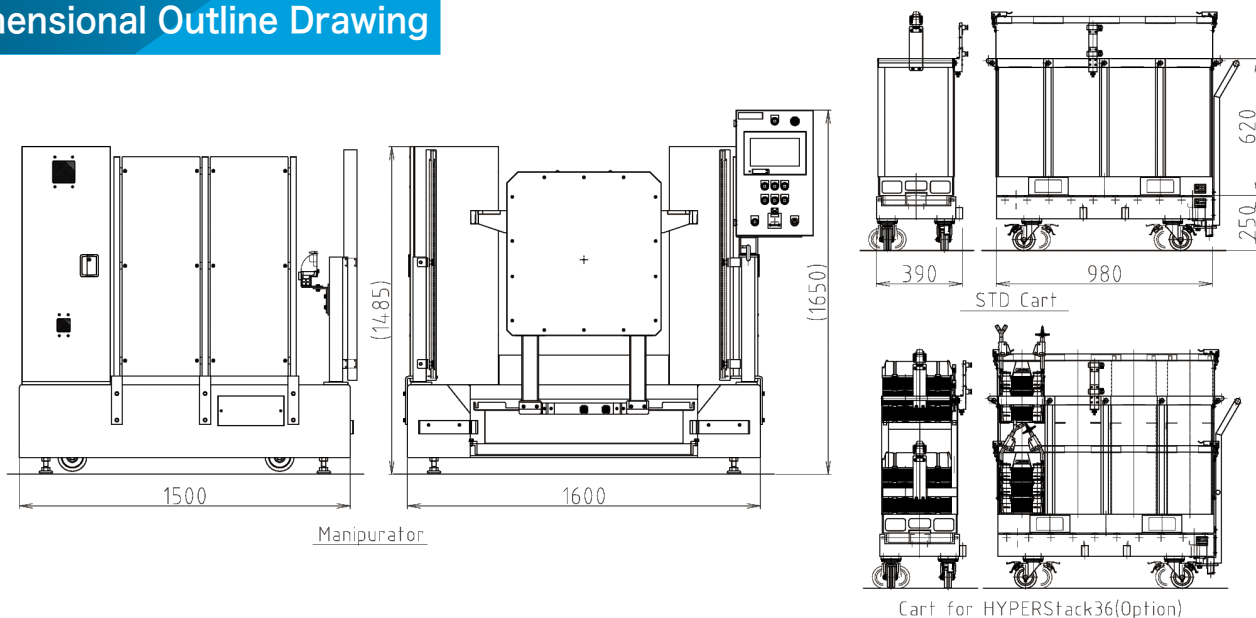
for Cell Factory™, CellSTACK®, HYPERStack®(4 mounting type-2D)

WAS-107L(R)

## Specifications

Dimension(WxDxH)	1,600×1,500×1,650 (1,850 at maximum)mm
Weight	1,070kg (Without a cart)
Allowable load(static load)	200kg(Including vessels and upper parts of a cart)
Pivot	-5 degree(right) ~ 135 degree(left) Option : -30 ~ 150 degree)
Tilt	-20 degree(front) ~ 30 degree(back)
Turning speed/Tilting speed	1 ~ 60 degree/sec(Except for acceleration or deceleration range)
Shake pattern	Front and rear, right and left, incline, turn
Shaking speed	100mm/sec(at 30mm/100rpm)
Width of shaking	50mm at maximum
Required power supply	3 phase AC 200 ~ 230V 50/60Hz 9kVA (AC380 ~ 440V option)
Mountable vessels	4 stackable cell culture vessels(40 or 52 layer) at maximum Option : 8 stackable cell culture vessels(10 layer)
Installation environment	Temperature : 5°C ~ 30°C Humidity : 50 ~ or less(no condensation) Floor : Withstand load 1t/m <sup>2</sup> , no slope recommended

## Dimensional Outline Drawing



## Contact us

Distributor

**TAITEC CORPORATION**

<https://e-taitec.com> E-Mail : [overseas@taitec.org](mailto:overseas@taitec.org)

〒343-0822 2693-1, NISHIKATA KOSHIGAYA-SHI, SAITAMA-KEN

TEL : +81(48)-986-3228 FAX : +81(48)-988-8363

Manufacturer



Shikoku Electric power Group  
SHIKOKU INSTRUMENTATION CO.,LTD

<http://www.yonkei.co.jp>



JQA-QM8829