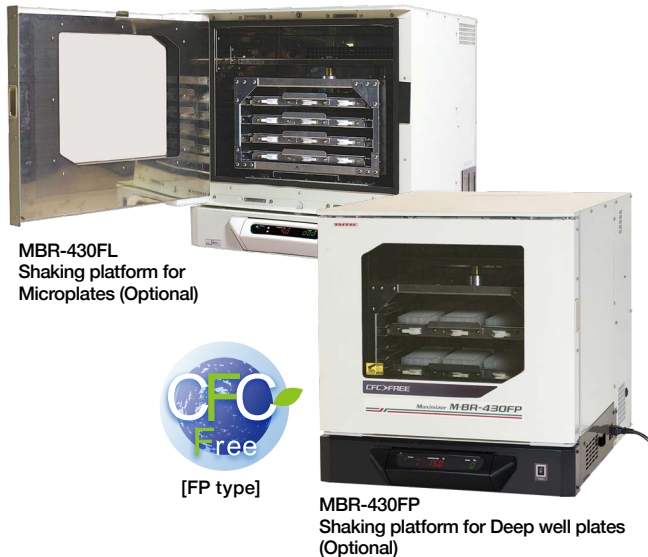


Maximizer MBR-430FL/430FP

Up to 24 pcs for Microplates! Large capacity constant temperature incubator shaker for 96-well plates.
The FL type can be temperature-controlled from +4°C. The FP type is CFC-free and energy-saving thanks to Peltier cooling.

•Powerful, Uniform, and Silent!. Compact tabletop machine for 2 to 4 well plates --> P.022-023



MBR-430FL
Shaking platform for
Microplates (Optional)



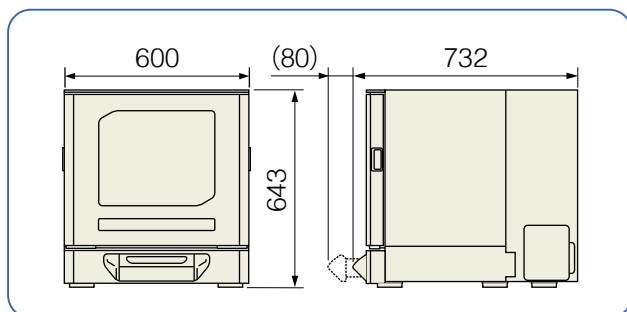
[FP type]

MBR-430FP
Shaking platform for Deep well plates
(Optional)

Model	MBR-430FL	MBR-430FP
Temperature range	+4°C to +70°C	+20°C to +50°C (*1) (5°C below RT to 25°C above RT)
Temp. control accuracy	±0.3°C to ±1.0°C (*2)	±0.5°C
Shaking motion	Horizontal eccentric shaking (Inverting function)	
Speed range	200 to 1500 r/min (Up to 1000 r/min at inverting shaking)	
Capacity (*3)	Well plate ×12 or Microplate ×24	
Ambient temp. range (*4)	+5°C to +35°C	+5°C to +30°C
Shaking inverting function	The time and speed for inverting can be set up.	
Heating method	Heater 800 W	Peltier element
Cooling method	Compressor 140 W	
Display (Temp./Speed)	Digital display	
Program functions	4 programs, 9 segments: Temp., Shaking speed, and time/per segment (Setting range: 00 h 00 min to 99 h 59 min), Wait function (*5)	
Safety devices/ functions	Leakage/Overcurrent breaker, Fuse, Alarm of abnormal sample temp. (Set as desired), Detecting the door opening and closing, Self-diagnosis function for sensor error, Motor current limiter, Compressor overheating cut-off circuit (FL)	
Dimensions (W × D × H)	600 × 732 × 643 mm	
Weight	110 kg (Platform not included)	105 kg (Platform not included)
Power supply	AC100V/12A (Need a step-down transformer)	AC100V/AC220V-240V/7A

(*1)The value at 25°C of the rear surface intake temp. The temperature range of the unit is 5°C below RT to 25°C above RT, or within the operating temperature range. (*2)The temp. of defrost function that just starting is not included. (*3)Shaking platform (Optional) is required to fix the plates. The capacity varies depending on the number of shaking platforms (Optional). (*4)No condensation. (*5)Shaking will start when reaching the preset temp.
 •External output and 240 V specifications are also available by special order (FP only). Please contact us for details.

Dimensions



Features

- Possible for shaking culture with 96-deep well plate
- Inverting function of shaking (Up to 1000 r/min)
- Renewed to improve the stability of the main body, Made it much quieter

Applications

- Shaking culture with Deep well plates
- ELISA and Phage display method
- Enzymatic digestion, Biodegradability tests, etc.

Much quieter than conventional models. FP type uses Peltier cooling to save energy.

The balance of the shaking platform has been thoroughly improved, making it much more stable and quieter than our previous models (noise level at 1500 r/min is about 1/2). 430FL can be temperature-controlled from +4°C, enabling low-temperature cultivation or storage at low temperature after cultivation at 37°C. 430FP can be temperature-controlled from +20°C and consumes only about 1/5 of power (at 37°C and 1500 r/min) and 7 A of power supply capacity, making it very energy-efficient.

Model	Power supply	Power consumption	Temperature range
MBR-430FL	12 A	598 Wh (at +37°C, 1500 r/min)	4°C to 70°C
MBR-430FP	7 A	103 Wh (at +37°C, 1500 r/min)	20°C to 50°C

Optional parts: Shaking platform



Shaking platform for Microplates
6 plates can be placed on the platform.
4 sets of platforms can be attached to the unit.



Shaking platform for Deep well plates
6 plates can be placed on the platform.
2 sets of platforms can be attached to the unit.

Product Name/Model	Capacity of Vessels/ Remarks	Mounting qty	Capacity of vessel per platform	Maximum number of vessels
Shaking platform for Deep well plates DWP-2412N (*1)	Standard deep well plat	2	6	12
Adapter ADP-2412	Required for mounting Deep Well plate with rims (*2) to DWP-2412, 2 sets.	2 sets of adapters per platform	-	-
Shaking platform for Microplates MTP-2412N (*1)	Standard microplate (Do not use the lid, Sealing films are recommended)	4	6	24
Sticky sheet shaking platform SR-2412N (*1)	Flat bottoms such as a Petri dish can be held simply by placing it on the platform. Max shaking speed 1000 r/min.	4	-	-

(*1)Not compatible with the former product MBR-420FL. (*2)Deep wells are available in the shapes shown below. For mounting Deep well plate with rims, adapter ADP-2412 is required.



General Deep well plate



With rims (designation by TAITEC)

NEW

Constant temperature incubator shaker
OD Monitor

For cell culture related products

Shaker

Mixer
Rotator
Stirrer

Bead beater
homogenizer
Ultrasonic homogenizer

Aluminum block Bath
Mini-size Bath

Water bath
Shaking Water bath
Immersion cooler

Hybridization
Incubator
Constant temperature Chambers

Centrifugal
Concentrators
Cold Trap

Freeze dryers

Substrate
Electrophoresis apparatus
Blotting device for hybridization

Constant-temperature water circulating system [Chilled]

Appendix