

Delta Mixer Se-04/Se-08

Our proprietary technology "Delta balance" prevents the Mixer from moving around during operation. Developed by our customer's request, this user-friendly mixer offers excellent stirring and stability.

•Stirring Microtube and Well plate "Micro mixer E-022" --> P.062 •Crusher "Beads crusher" series --> P.100-101

Features

- "Delta balance" prevents the Mixer from moving around during operation
- Hand-held stirring and "Miracle head" holds Microtubes
- Operation mode by touch switch, Stirring strength adjustment [Se-08]

Applications

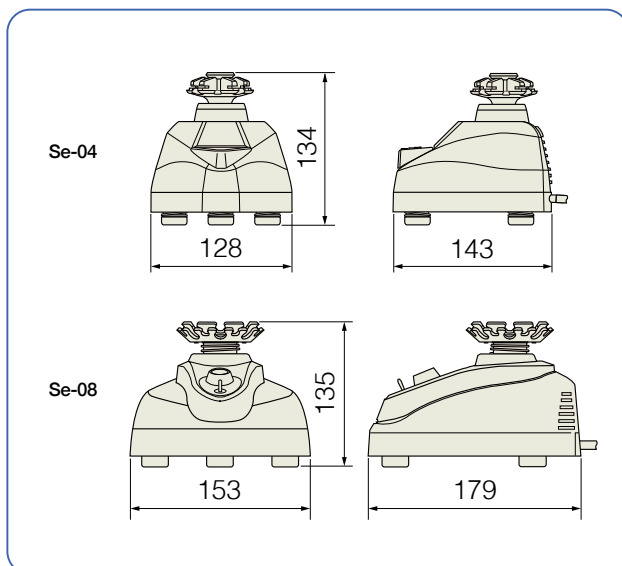
- Mixing-stirring of samples and reagents
- Promotion of various reactions by stirring
- Crushing of fungal, etc. with beads, DNA extraction from fecal samples

Microtubes can be fixed to the "Miracle Head"

Our original Miracle Head enables smooth hand-held stirring of 15 mL and 50 mL Centrifuge tubes, up to 30 mL can be stirred. Microtubes can be fixed to the periphery of the Miracle Head. Useful for long-time stirring.



Dimensions



Se-04

Se-08

Well-balanced Mixer that never moves around thanks to Delta balance

We developed three legs and a triangle body to realize our customer's request "Desired a mixer that is never moving around". We received results that the Mixer did not moved around on slippery planes and slopes that were painted with oil.



"Soft touch switch for stirring" and "Continuous stirring" [Se-08]

Switching between the Touch switch that "turns on/off" when the head is lightly pressed and the Continuous stirring. The Touch switch was designed with optimal sensitivity in order to start by light touching.



Model	Se-04	Se-08
Stirring motion	Horizontal eccentric	
Vibration speed (*1)	Approx. 2800 r/min (Fixed)	Up to 2800 r/min (Strength adjustment)
Operation mode	Continuous	Switching Touching mode/Continuous
Capacity	•Hand-held stirring Microtubes and 50 mL in Centrifuge tubes (*2) •Stirring with Microtubes fixed Se-04: 0.5 mL x4 pcs + 1.5/2.0 mL x4 pcs Se-08: 0.5 mL x8 pcs + 1.5/2.0 mL x8 pcs	
Ambient temperature	+5°C to +35°C	
Dimensions (W x D x H)	128 x 143 x 134 mm (Miracle Head is included)	153 x 179 x 135 mm (Miracle Head is included)
Weight	Approx. 2 kg (Miracle Head is included)	Approx. 3 kg (Miracle Head is included)
Power supply	AC100V / AC220V- 240V / 0.5A	AC100V / 0.5A (Need a step-down transformer)
Standard accessories	Miracle Head 04 x1 pc	Miracle Head 08 x1 pc

(*1)The value at 50 Hz. The value at 60 Hz is under 3300 r/min in Se-08.
 (*2)Up to 30 mL out of 50 mL in Centrifuge tubes can be stirred for sure.

NEW

Constant temperature incubator/shaker OD Monitor

For cell culture related products

Shaker

Mixer Rotator Stirrer

Bead beater Ultrasonic homogenizer

Aluminum block Bath Mini-size Bath

Water bath Shaking Water bath Immersion cooler

Hybridization Incubator Constant temperature Chambers

Centrifugal Concentrators Cold Trap

Freeze dryers

Submarine Electroporation apparatus Blotting device for hybridization

Constant-temperature water circulating system [Chillief]

Appendix